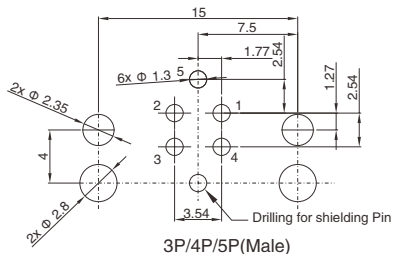


# M12 PCB Layout & Panel cut-out

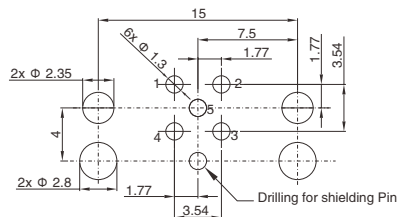
## PCB Layout

### M12 Right Angled Connector

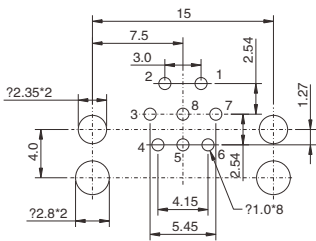
#### Recommended PCB layout



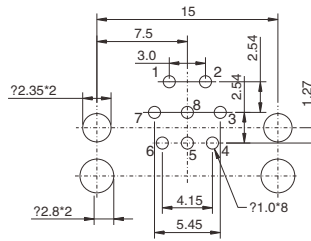
3P/4P/5P (Male)



3P/4P/5P (Female)

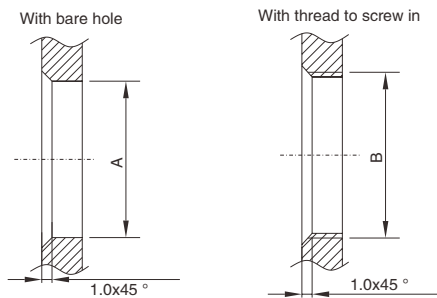


8P (male)



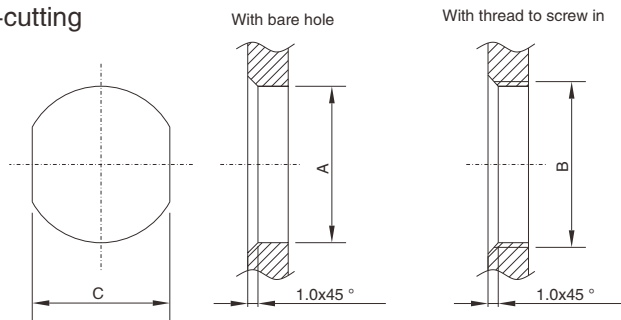
8P (female)

## Panel cut-out



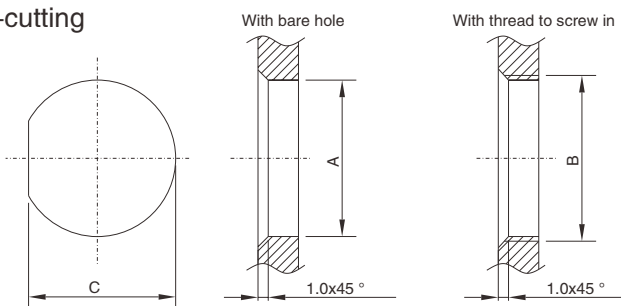
	A	B
M12	12 <sup>+0.1</sup> <sub>-0</sub>	M12x1.0
M16	16 <sup>+0.1</sup> <sub>-0</sub>	M16x1.5
PG9	15.3 <sup>+0.1</sup> <sub>-0</sub>	PG9

### H-cutting



	A	B	C
M16	16 <sup>+0.1</sup> <sub>-0</sub>	M16x1.5	13.5 <sup>+0.1</sup> <sub>-0</sub>
PG9	15.3 <sup>+0.1</sup> <sub>-0</sub>	PG9	13.5 <sup>+0.1</sup> <sub>-0</sub>

### D-cutting



	A	B	C
M16	16 <sup>+0.1</sup> <sub>-0</sub>	M16x1.5	14.3 <sup>+0.1</sup> <sub>-0</sub>
PG9	15.3 <sup>+0.1</sup> <sub>-0</sub>	PG9	14.3 <sup>+0.1</sup> <sub>-0</sub>
5/8"-27UNS	15.7 <sup>+0.1</sup> <sub>-0</sub>	5/8"-27UNS	14.6 <sup>+0.1</sup> <sub>-0</sub>
M12	12 <sup>+0.1</sup> <sub>-0</sub>	M12x1.0	11.3 <sup>+0.1</sup> <sub>-0</sub>