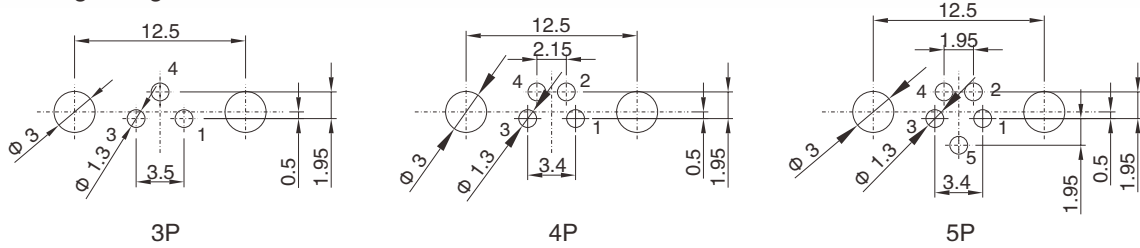


M8 PCB Layout & Panel Cut-out

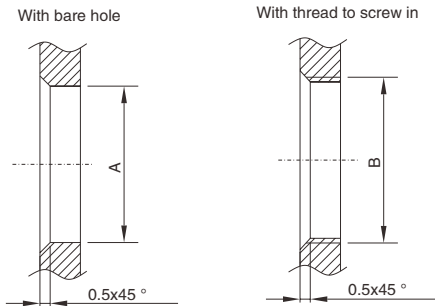
PCB Layout

M8 Female Right Angled Connector



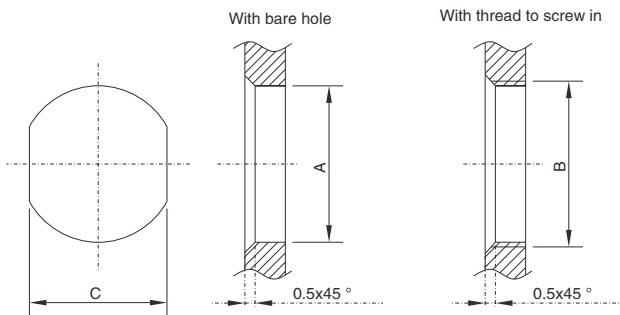
Recommended PCB layout

Panel Cut-out Dimensions



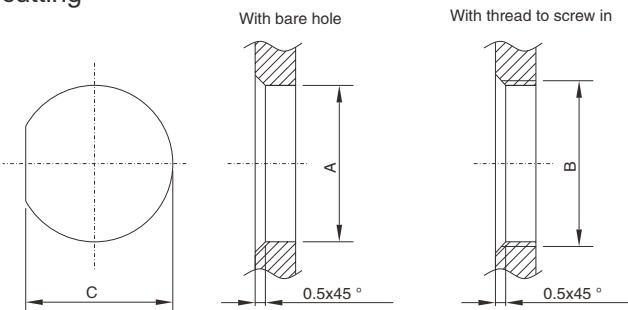
	A	B
M8	8.0 ^{+0.1} ₋₀	M8x0.5
M8	8.0 ^{+0.1} ₋₀	M8x1.0
M11	11.0 ^{+0.1} ₋₀	M11x1.0

H-cutting



	A	B	C
M8	8.0 ^{+0.1} ₋₀	M8x0.5	7.1 ^{+0.1} ₋₀
M8	8.0 ^{+0.1} ₋₀	M8x0.5	7.4 ^{+0.1} ₋₀
M8	8.0 ^{+0.1} ₋₀	M8x1.0	7.1 ^{+0.1} ₋₀
M10	10.0 ^{+0.1} ₋₀	M10x0.75	9.1 ^{+0.1} ₋₀
M11	11.0 ^{+0.1} ₋₀	M11x1.0	10.1 ^{+0.1} ₋₀

D-cutting



	A	B	C
M8	8.0 ^{+0.1} ₋₀	M8x1.0	7.6 ^{+0.1} ₋₀