

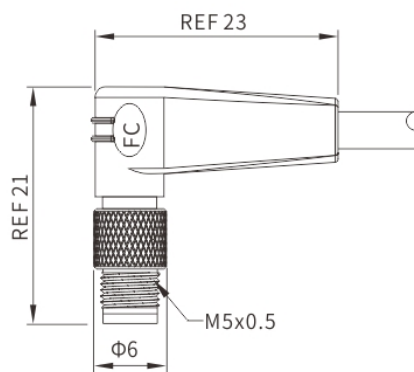
Product description
Part no.

M5 Male Angled Connector, Molded Cable, Contacts: 4, Unshielded, IP67
MA05MAF04RA

Illustration



Scale drawing



You can find the assembly instructions on the next page.

General features

Part no.	MA05MAF04RA
Standard	IEC 61076-2-105
Ambient temperature	-25°C ~ +85°C (flexible installation)
Ambient temperature	-40°C ~ +85°C (fixed installation)
IP rating	IP67 in locked condition
Cable Length	5 m (Standard 2 m and 5 m. Other lengths are available on request.)
Mating endurance	>500 cycles*

Electrical parameters

Insulation resistance	≥100MΩ
Contact resistance	≤5mΩ
Shielding	Unavailable
Rated current	1A
Rated voltage	60V AC/DC
Wire gauge	0.14mm ² (AWG26)

Product data sheet

M5 Cables & Connectors

<https://www.finecables.com/m5-molded-cable/74/>



Product description	M5 Male Angled Connector, Molded Cable, Contacts: 4, Unshielded, IP67
Part no.	MA05MAF04RA

Material

Connector insert	TPU
Connector contacts	Brass with gold plated
Connector overmold	TPU
Coupling nut/screw	Brass with nickel plated
Seal/O-ring	FKM
Cable Jacket	PUR/PVC

Security Notices

The connector must not be plugged or unplugged under load. Non-observance and improper use can result in personal injury.

The connectors have been developed for applications in plant engineering, control and electrical equipment construction. The user is responsible for checking whether the connectors can also be used in other areas of application.

Connectors which are used in circuits with voltages dangerous to the touch may only be installed and used by, or under the supervision of, persons with electrical engineering training, taking into account the applicable regulations and standards.

The user must take suitable safety precautions to ensure that the connector cannot be accidentally disconnected.

Please observe the pollution degree and the overvoltage category. For further information, please refer to the download center "Technical Information".

Finecables Enterprise Co., Ltd

Email: info@finecables.com

Web: www.finecables.com

Tel: +86 0769-81517898

Address: No.54 Changdi Road, Nanmian Community Humen Town Dongguan City, Guangdong Province, China.