

Product data sheet

M8 Molded Cable



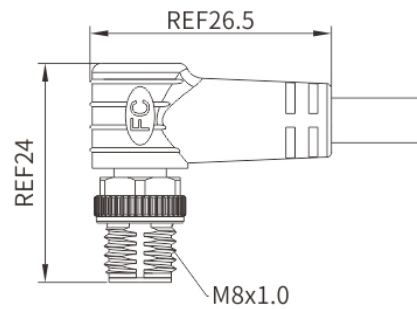
<https://www.finecables.com/m8-molded-cable-a-coded/268/>

Product description	M8 Male A-coding Angled Connector, Molded Cable, Contacts: 4, Unshielded, IP67, UL Listed: CYJV(CYJV7).E321413
Part no.	MA08MAHD04RA

Illustration



Scale drawing



You can find the assembly instructions on the next page.

General features

Part no.	MA08MAHD04RA
Standard	IEC 61076-2-104
Ambient temperature	-25°C ~ +85°C (flexible installation)
Ambient temperature	-40°C ~ +85°C (fixed installation)
IP rating	IP67 in locked condition
Mating endurance	>500 cycles

Electrical parameters

Insulation resistance	$\geq 100\text{M}\Omega$
Contact resistance	$\leq 5\text{m}\Omega$
Shielding	Unavailable
Rated current	3A
Rated voltage	50V AC / 60V DC
Wire gauge	0.25mm ² (AWG24)

Material

Connector insert	TPU; PA
Connector contacts	Brass with gold plated
Connector overmold	TPU
Coupling nut/screw	Zinc alloy with nickel plated

Product data sheet
M8 Molded Cable



<https://www.finecables.com/m8-molded-cable-a-coded/268/>

Product description	M8 Male A-coding Angled Connector, Molded Cable, Contacts: 4, Unshielded, IP67, UL Listed: CYJV(CYJV7).E321413
Part no.	MA08MAHD04RA

Seal/O-ring FKM

Security Notices

The connector must not be plugged or unplugged under load. Non-observance and improper use can result in personal injury.

The connectors have been developed for applications in plant engineering, control and electrical equipment construction. The user is responsible for checking whether the connectors can also be used in other areas of application.

Connectors which are used in circuits with voltages dangerous to the touch may only be installed and used by, or under the supervision of, persons with electrical engineering training, taking into account the applicable regulations and standards.

The user must take suitable safety precautions to ensure that the connector cannot be accidentally disconnected.

Please observe the pollution degree and the overvoltage category. For further information, please refer to the download center "Technical Information".

Finecables Enterprise Co., Ltd

Email: info@finecables.com

Web: www.finecables.com

Tel: +86 0769-81517898

Address: No.54 Changdi Road, Nanmian Community Humen Town Dongguan City, Guangdong Province, China.