

Product data sheet

M12 Molded Cable



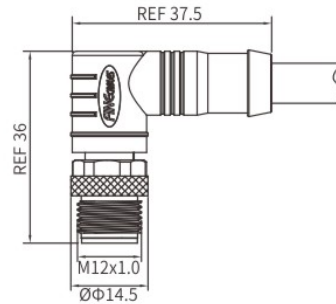
<https://www.finecables.com/m12-molded-cable-y1y2y3y4-coded/1819/>

Product description	M12 Y2-coding Male Right Angled Connector, Molded Cable, Shielded, Contacts: 8, IP67
Part no.	MA12MSY2F08RA

Illustration



Scale drawing



You can find the assembly instructions on the next page.

General features

Part no.	MA12MSY2F08RA
Standard	IEC 61076-2-113
Ambient temperature	-25°C ~ +85°C (flexible installation)
Ambient temperature	-40°C ~ +85°C (fixed installation)
IP rating	IP67 in locked condition
Mating endurance	>500 cycles

Electrical parameters

Insulation resistance	$\geq 100\text{M}\Omega$
Contact resistance	$\leq 10\text{m}\Omega$
Shielding	Available
Rated current	6A(Power pins) / 0.5A(Data pins)
Rated voltage	50V AC / DC
Wire gauge	0.6mm ² (AWG20)(Power pins)/0.15mm ² (AWG26)(Data pins)

Material

Connector insert	PA+GF
Connector contacts	Brass with gold plated
Connector overmold	TPU
Coupling nut/screw	Brass with nickel plated

Product data sheet
M12 Molded Cable



<https://www.finecables.com/m12-molded-cable-y1y2y3y4-coded/1819/>

Product description	M12 Y2-coding Male Right Angled Connector, Molded Cable, Shielded, Contacts: 8, IP67
Part no.	MA12MSY2F08RA

Seal/O-ring FKM

Security Notices

The connector must not be plugged or unplugged under load. Non-observance and improper use can result in personal injury.

The connectors have been developed for applications in plant engineering, control and electrical equipment construction. The user is responsible for checking whether the connectors can also be used in other areas of application.

Connectors which are used in circuits with voltages dangerous to the touch may only be installed and used by, or under the supervision of, persons with electrical engineering training, taking into account the applicable regulations and standards.

The user must take suitable safety precautions to ensure that the connector cannot be accidentally disconnected.

Please observe the pollution degree and the overvoltage category. For further information, please refer to the download center "Technical Information".

Finecables Enterprise Co., Ltd

Email: info@finecables.com

Web: www.finecables.com

Tel: +86 0769-81517898

Address: No.54 Changdi Road, Nanmian Community Humen Town Dongguan City, Guangdong Province, China.