

## Product data sheet

# M16 Cables & Connectors

<https://www.finecables.com/m16-molded-cable/2317/>



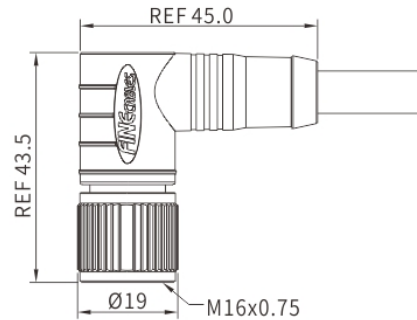
Product description  
Part no.

M16 Female Angled Connector, Molded Cable, Contacts: 7-b, Shielded, IP65/IP67  
MA16FSAF07BRA

### Illustration



### Scale drawing



You can find the assembly instructions on the next page.

## General features

Part no.	<b>MA16FSAF07BRA</b>
Standard	IEC 61076-2-106
Ambient temperature	-25°C ~ +85°C (flexible installation)
Ambient temperature	-40°C ~ +85°C (fixed installation)
IP rating	IP65, IP67 in locked condition
Mating endurance	>100 cycles

## Electrical parameters

Insulation resistance	≥100MΩ
Contact resistance	≤5mΩ
Shielding	Available
Rated current	5A(40°C)
Rated voltage	32V AC/DC
Wire gauge	0.75~0.25mm <sup>2</sup> (AWG18~20)

## Material

Product description	M16 Female Angled Connector, Molded Cable, Contacts: 7-b, Shielded, IP65/IP67
Part no.	MA16FSAF07BRA
Connector insert	PBT
Connector contacts	Brass with gold plated
Connector overmold	TPU
Coupling nut/screw	Zinc alloy with nickel plated
Seal/O-ring	NBR/FKM

### Security Notices

1. Do not plug or unplug the connector while it is under load. Failure to follow this warning or improper use may result in personal injury.
2. These connectors are designed for use in plant engineering, control systems, and electrical equipment construction. Users are responsible for verifying suitability if using them in other applications.
3. Connectors used in circuits with hazardous touch voltages must only be installed and operated by qualified personnel with electrical engineering training, or under their supervision, in accordance with applicable regulations and standards.
4. Users must take appropriate safety precautions to prevent accidental disconnection of the connector.
5. Please observe the specified pollution degree and overvoltage category. For more details, refer to the "Technical Information" section in our Download Center.

Finecables Enterprise Co., Ltd

Email: [info@finecables.com](mailto:info@finecables.com)

Web: [www.finecables.com](http://www.finecables.com)

Tel: +86 0769-81517898

Address: No.54 Changdi Road, Nanmian Community Humen Town Dongguan City, Guangdong Province, China.