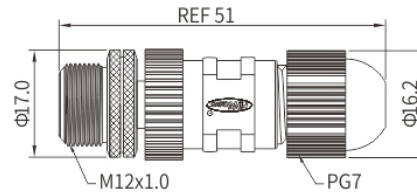


|                     |                                                                                                                     |
|---------------------|---------------------------------------------------------------------------------------------------------------------|
| Product description | M12 C-coding Male Straight Connector, Field Wirable Assembly, Solder, Unshielded, Front fastened, Contacts: 4, IP65 |
| Part no.            | MB12MACFF04ST                                                                                                       |

**Illustration**



**Scale drawing**



**You can find the assembly instructions on the next page.**

**General features**

|                     |                          |
|---------------------|--------------------------|
| Part no.            | <b>MB12MACFF04ST</b>     |
| Standard            | IEC 61076-2-101          |
| Ambient temperature | -25°C ~ +90°C            |
| Suitable Cable Dia  | 4~5.5mm                  |
| IP rating           | IP65 in locked condition |
| Mating endurance    | >500 cycles              |

**Electrical parameters**

|                       |                             |
|-----------------------|-----------------------------|
| Insulation resistance | ≥100MΩ                      |
| Contact resistance    | ≤5mΩ                        |
| Shielding             | Unavailable                 |
| Rated current         | 4A                          |
| Rated voltage         | 250V AC / DC                |
| Wire gauge            | 0.34mm <sup>2</sup> (AWG22) |

**Material**

|                    |                          |
|--------------------|--------------------------|
| Connector insert   | TPU                      |
| Connector contacts | Brass with gold plated   |
| Connector body     | PA                       |
| Coupling nut/screw | Brass with nickel plated |

Product description

M12 C-coding Male Straight Connector, Field Wirable Assembly, Solder, Unshielded, Front fastened, Contacts: 4, IP65

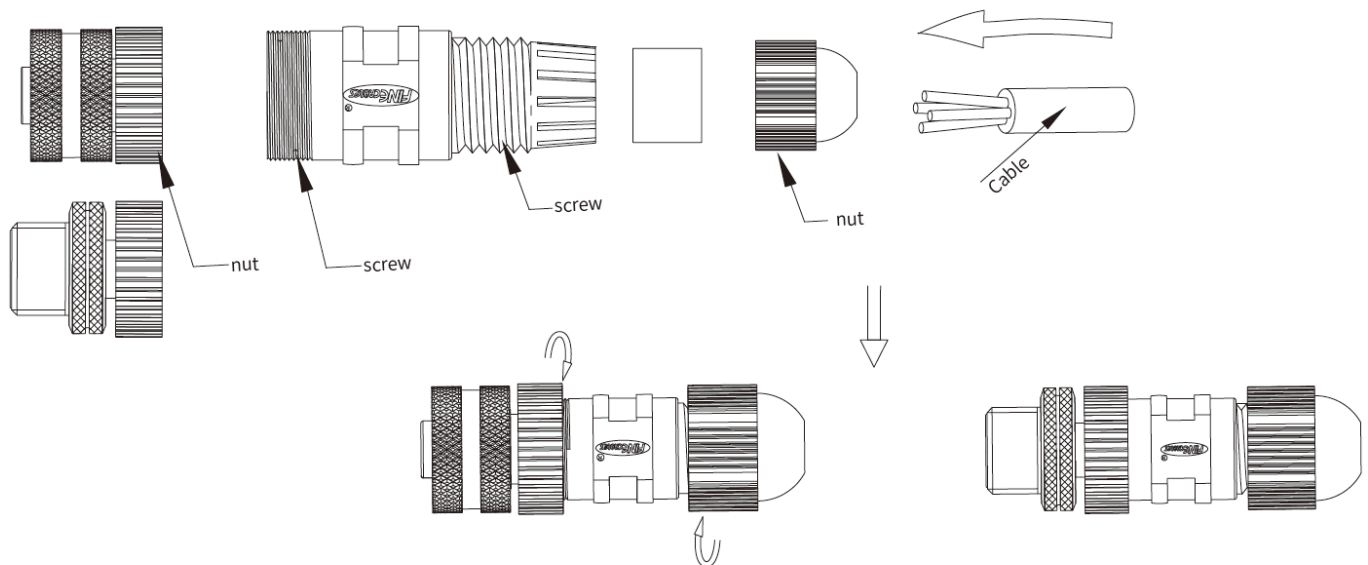
Part no.

MB12MACFF04ST

Seal/O-ring

FKM

## Assembly instructions



## Security Notices

The connector must not be plugged or unplugged under load. Non-observance and improper use can result in personal injury.

The connectors have been developed for applications in plant engineering, control and electrical equipment construction. The user is responsible for checking whether the connectors can also be used in other areas of application.

Connectors which are used in circuits with voltages dangerous to the touch may only be installed and used by, or under the supervision of, persons with electrical engineering training, taking into account the applicable regulations and standards.

The user must take suitable safety precautions to ensure that the connector cannot be accidentally disconnected.

Please observe the pollution degree and the overvoltage category. For further information, please refer to the download center "Technical Information".

**Product data sheet**  
**M12 Field Wirable Assembly**



<https://www.finecables.com/m12-field-wirable-assembly-c-coded/1546/>

|                     |                                                                                                                     |
|---------------------|---------------------------------------------------------------------------------------------------------------------|
| Product description | M12 C-coding Male Straight Connector, Field Wirable Assembly, Solder, Unshielded, Front fastened, Contacts: 4, IP65 |
| Part no.            | MB12MACFF04ST                                                                                                       |

Email: [info@finecables.com](mailto:info@finecables.com)

Web: [www.finecables.com](http://www.finecables.com)

Tel: +86 0769-81517898

Address: No.54 Changdi Road, Nanmian Community Humen Town Dongguan City, Guangdong Province, China.