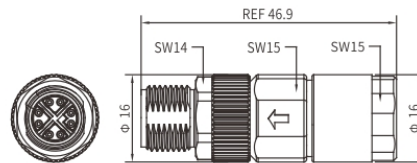


Product description	M12 X-coding Male Straight Connector, Assembly Crimp, Front fastened, Shielded, Contacts: 8, IP67/IP68
Part no.	MB12MCSXFF08ST

Illustration



Scale drawing



You can find the assembly instructions on the next page.

General features

Part no.	MB12MCSXFF08ST
Standard	IEC 61076-2-109
Ambient temperature	-25°C ~ +90°C
IP rating	IP67, IP68 in locked condition
Mating endurance	>500 cycles
Suitable Cable Dia	u04246~8mm

Electrical parameters

Insulation resistance	≥100MΩ
Contact resistance	≤10mΩ
Shielding	Available
Wire gauge	0.34mm ² (AWG22)
Wire gauge	0.20mm ² (AWG24)
Wire gauge	0.15mm ² (AWG26)
Rated current	0.5A
Rated voltage	50V AC / 60V DC

Material

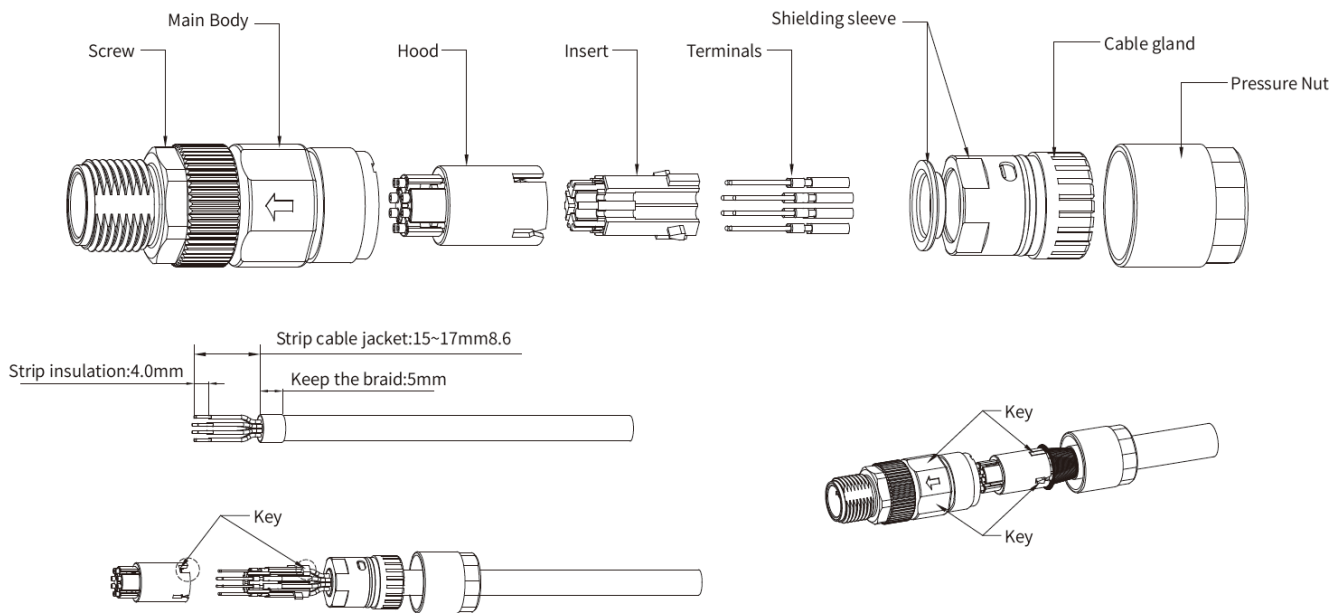
Connector insert	PA+GF
Connector contacts	Brass with gold plated

Product description	M12 X-coding Male Straight Connector, Assembly Crimp, Front fastened, Shielded, Contacts: 8, IP67/IP68
Part no.	MB12MCSXFF08ST

Coupling nut/screw Brass with gold plated

Seal/O-ring FKM

Assembly instructions



Security Notices

The connector must not be plugged or unplugged under load. Non-observance and improper use can result in personal injury.

The connectors have been developed for applications in plant engineering, control and electrical equipment construction. The user is responsible for checking whether the connectors can also be used in other areas of application.

Connectors which are used in circuits with voltages dangerous to the touch may only be installed and used by, or under the supervision of, persons with electrical engineering training, taking into account the applicable regulations and standards.

The user must take suitable safety precautions to ensure that the connector cannot be accidentally disconnected.

Please observe the pollution degree and the overvoltage category. For further information, please refer to the download center "Technical Information".

Finecables Enterprise Co., Ltd

Email: info@finecables.com

Product data sheet
M12 Field Wirable Assembly



<https://www.finecables.com/m12-field-wirable-assembly-x-coded/1464/>

Product description	M12 X-coding Male Straight Connector, Assembly Crimp, Front fastened, Shielded, Contacts: 8, IP67/IP68
Part no.	MB12MCSXFF08ST

Web: www.finecables.com

Tel: +86 0769-81517898

Address: No.54 Changdi Road, Nanmian Community Humen Town Dongguan City, Guangdong Province, China.