

Product data sheet
M12 Field Wirable Assembly



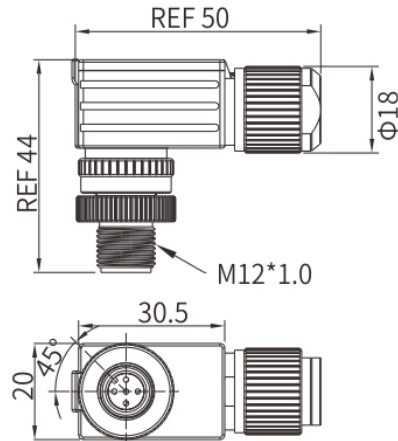
<https://www.finecables.com/m12-field-wirable-assembly-a-coded/1766/>

Product description M12 A-coding Male Angled Connector, Field Wirable Assembly, Screw joint, Shielded with Die-cast body, Front fastened, Contacts: 5, IP67/IP68
Part no. MB12MWSAFF05RA

Illustration



Scale drawing



You can find the assembly instructions on the next page.

General features

Part no. **MB12MWSAFF05RA**
Standard IEC 61076-2-101
Ambient temperature -25°C ~ +90°C
Suitable Cable Dia A: 4~6mm; B: 6~8mm
IP rating IP67, IP68 in locked condition
Mating endurance >500 cycles

Electrical parameters

Insulation resistance $\geq 100M\Omega$
Contact resistance $\leq 5m\Omega$
Shielding Available
Rated current 4A
Rated voltage 60V AC / DC
Wire gauge 0.34mm² (AWG22)

Material

Connector insert TPU
Connector contacts Brass with gold plated
Connector body Zinc alloy with nickel plated
Coupling nut/screw Brass with nickel plated

Product description

M12 A-coding Male Angled Connector, Field Wirable Assembly, Screw joint, Shielded with Die-cast body, Front fastened, Contacts: 5, IP67/IP68

Part no.

MB12MWSAFF05RA

Seal/O-ring

FKM

Assembly instructions



Security Notices

The connector must not be plugged or unplugged under load. Non-observance and improper use can result in personal injury.

The connectors have been developed for applications in plant engineering, control and electrical equipment construction. The user is responsible for checking whether the connectors can also be used in other areas of application.

Connectors which are used in circuits with voltages dangerous to the touch may only be installed and used by, or under the supervision of, persons with electrical engineering training, taking into account the applicable regulations and standards.

The user must take suitable safety precautions to ensure that the connector cannot be accidentally disconnected.

Please observe the pollution degree and the overvoltage category. For further information, please refer to the download center "Technical Information".

Product data sheet
M12 Field Wirable Assembly



<https://www.finecables.com/m12-field-wirable-assembly-a-coded/1766/>

Product description	M12 A-coding Male Angled Connector, Field Wirable Assembly, Screw joint, Shielded with Die-cast body, Front fastened, Contacts: 5, IP67/IP68
Part no.	MB12MWSAFF05RA

Finecables Enterprise Co., Ltd

Email: info@finecables.com

Web: www.finecables.com

Tel: +86 0769-81517898

Address: No.54 Changdi Road, Nanmian Community Humen Town Dongguan City, Guangdong Province, China.