

Product data sheet

M16 Cables & Connectors



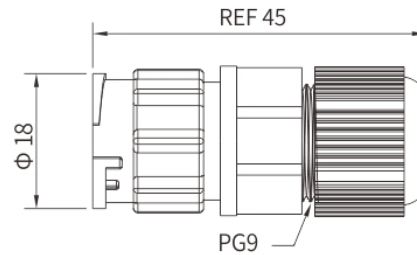
<https://www.finecables.com/m16-field-wirable-assembly/2183/>

Product description	M16 Female Straight Connector, Field Wirable Assembly, Quick-lock, Solder, Contacts: 9, Unshielded, IP65/IP67
Part no.	MB16FAAQ09ST

Illustration



Scale drawing



You can find the assembly instructions on the next page.

General features

Part no.	MB16FAAQ09ST
Ambient temperature	-25°C ~ +90°C
IP rating	IP65, IP67 in locked condition
Mating endurance	>100 cycles

Electrical parameters

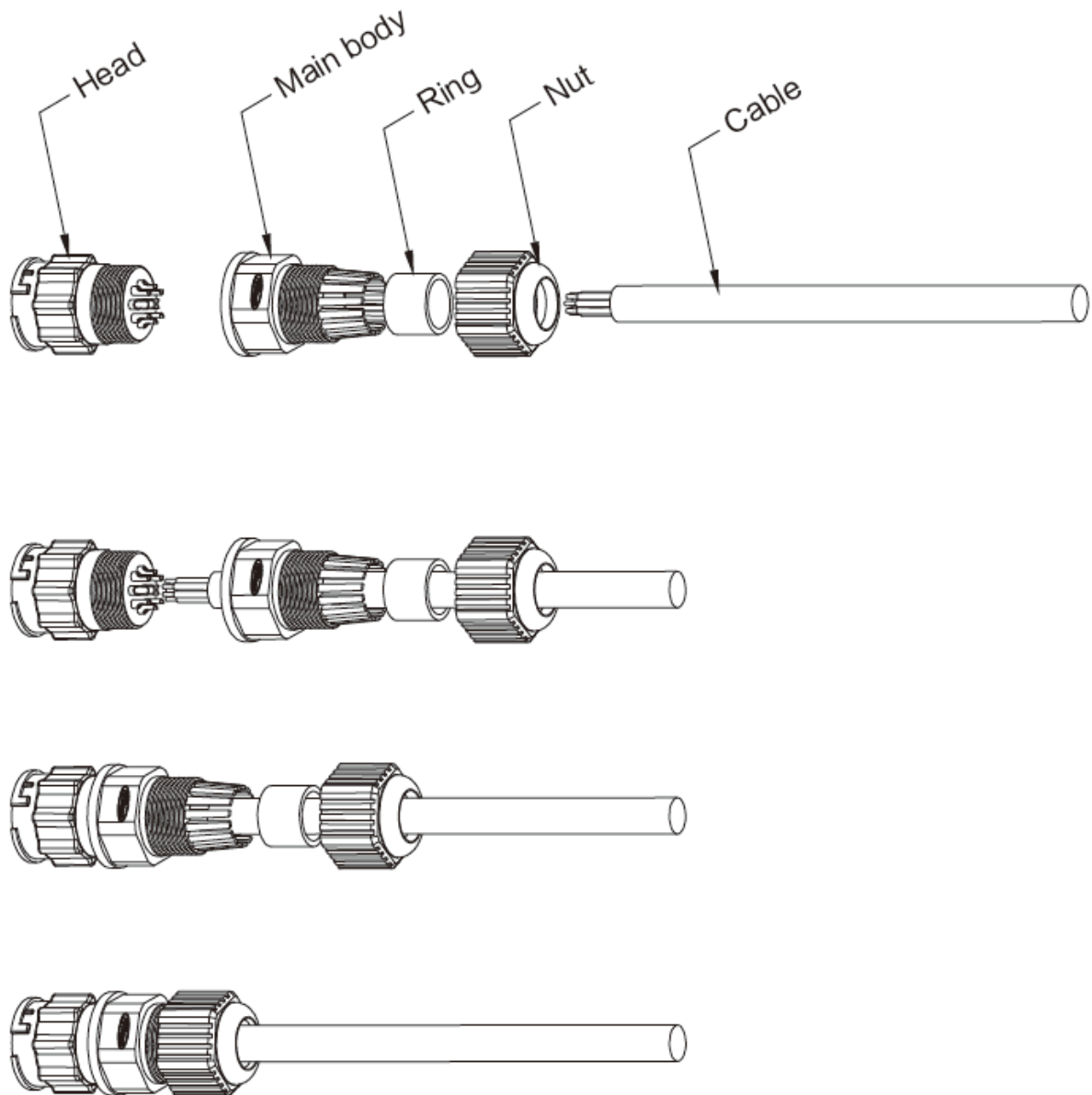
Insulation resistance	≥100MΩ
Contact resistance	≤5mΩ
Shielding	Unavailable
Rated current	4A
Rated voltage	250V AC / 300V DC
Standard	0.34mm ² (AWG22)

Material

Connector insert	PA+GF
Connector contacts	Brass with gold plated

Product description	M16 Female Straight Connector, Field Wirable Assembly, Quick-lock, Solder, Contacts: 9, Unshielded, IP65/IP67
Part no.	MB16FAAQ09ST
Quick-lock Fix-cap	PA+GF
Seal/O-ring	FKM

Assembly instructions



Security Notices

The connector must not be plugged or unplugged under load. Non-observance and improper use can result in personal injury.

The connectors have been developed for applications in plant engineering, control and electrical equipment construction. The user is responsible for checking whether the connectors can also be used in

Product data sheet

M16 Cables & Connectors



<https://www.finecables.com/m16-field-wirable-assembly/2183/>

Product description	M16 Female Straight Connector, Field Wirable Assembly, Quick-lock, Solder, Contacts: 9, Unshielded, IP65/IP67
Part no.	MB16FAAQ09ST

other areas of application.

Connectors which are used in circuits with voltages dangerous to the touch may only be installed and used by, or under the supervision of, persons with electrical engineering training, taking into account the applicable regulations and standards.

The user must take suitable safety precautions to ensure that the connector cannot be accidentally disconnected.

Please observe the pollution degree and the overvoltage category. For further information, please refer to the download center "Technical Information".

Finecables Enterprise Co., Ltd

Email: info@finecables.com

Web: www.finecables.com

Tel: +86 0769-81517898

Address: No.54 Changdi Road, Nanmian Community Humen Town Dongguan City, Guangdong Province, China.